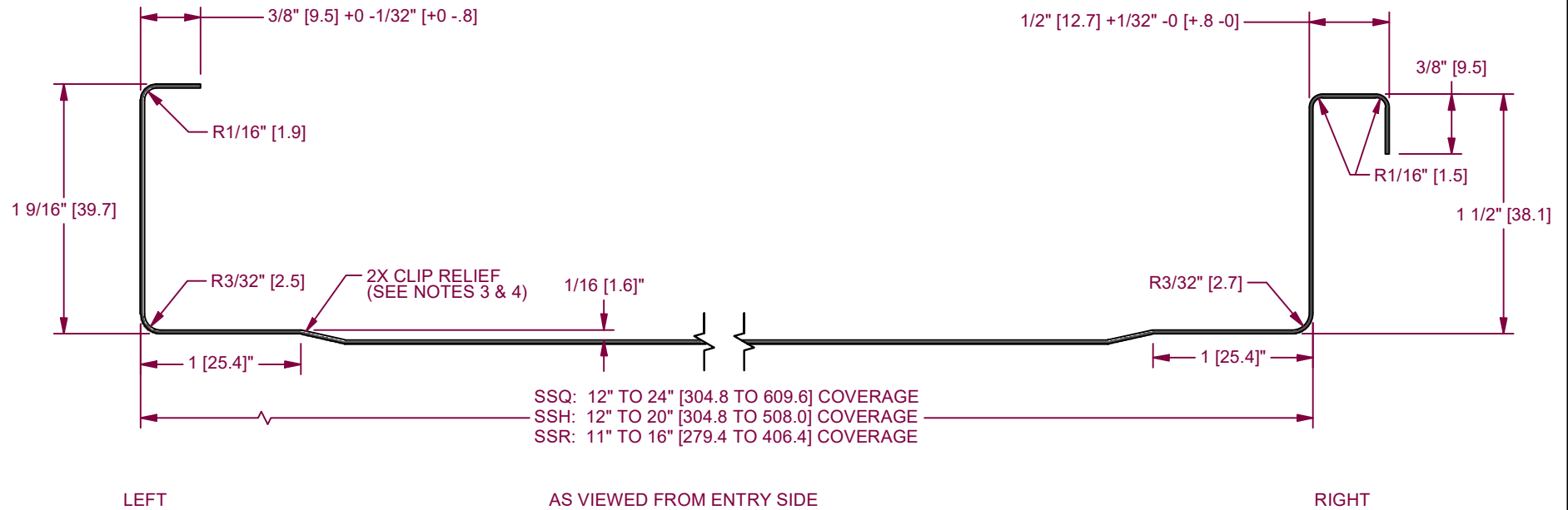
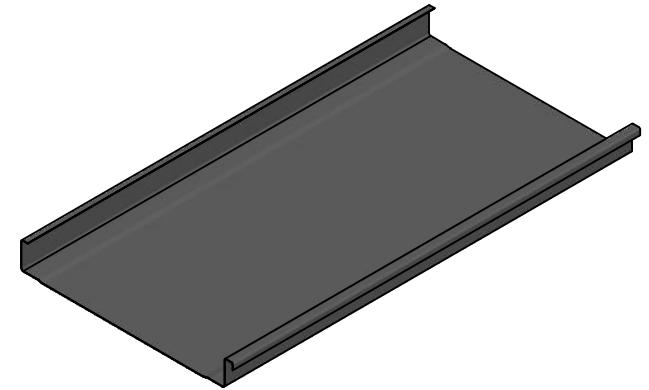



5

ADDED SSH AND SSR PANEL WIDTHS



- NOTES:
1. MATERIAL USAGE: APPROX. 4" [101.6] APPROX.
 2. CLIP RELIEF ROLLERS ARE STANDARD WITH THIS PANEL.
 3. PANEL IS SHOWN WITH CLIP RELIEF ROLLERS ENGAGED.
 4. OPTIONAL MINOR BEAD RIB OR STRIATIONS AVAILABLE.
 5. DUAL DIMENSIONS: Inch [mm]

MATERIAL PAINTED STEEL/PAINTED ALUMINUM/COPPER				FINISH NONE		 NEW TECH MACHINERY CORP.	
REVISION HISTORY	REV	ECR NO.	DATE	RELEASED BY	TOLERANCES		
	1	ADDED R DIM	07/02/2009	JD	.XX = ± .01	Jim	SS150 PANEL PROFILE
	2	ADDED TOL.	07/22/2011	JD	.XXX = ± .005	DATE 06/26/2002	
	3	LEG WAS 1"	05/02/2012	JD	FRACTION = ± 1/32" ANGLE = ± 1/2'	CHECK BY	PART NUMBER
	4	R-2190				JD	SP5-150P
5	R-2368	6/11/2020	AJB	DATE 01/17/2008			
						SHEET	REVISION
						1 OF 1	5